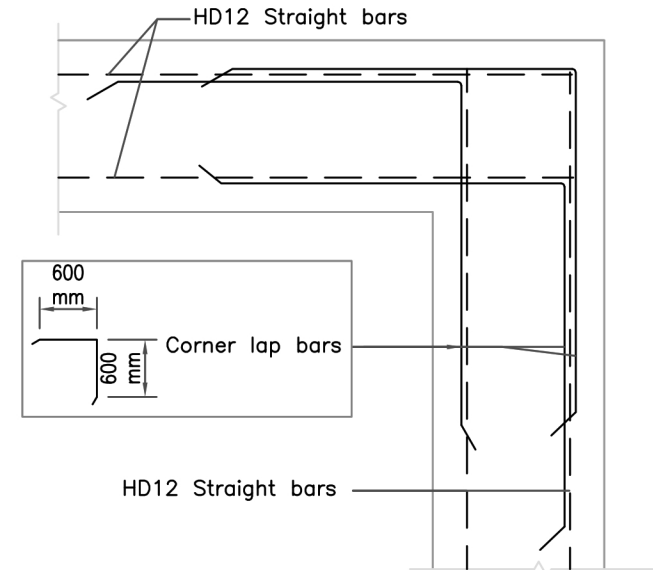
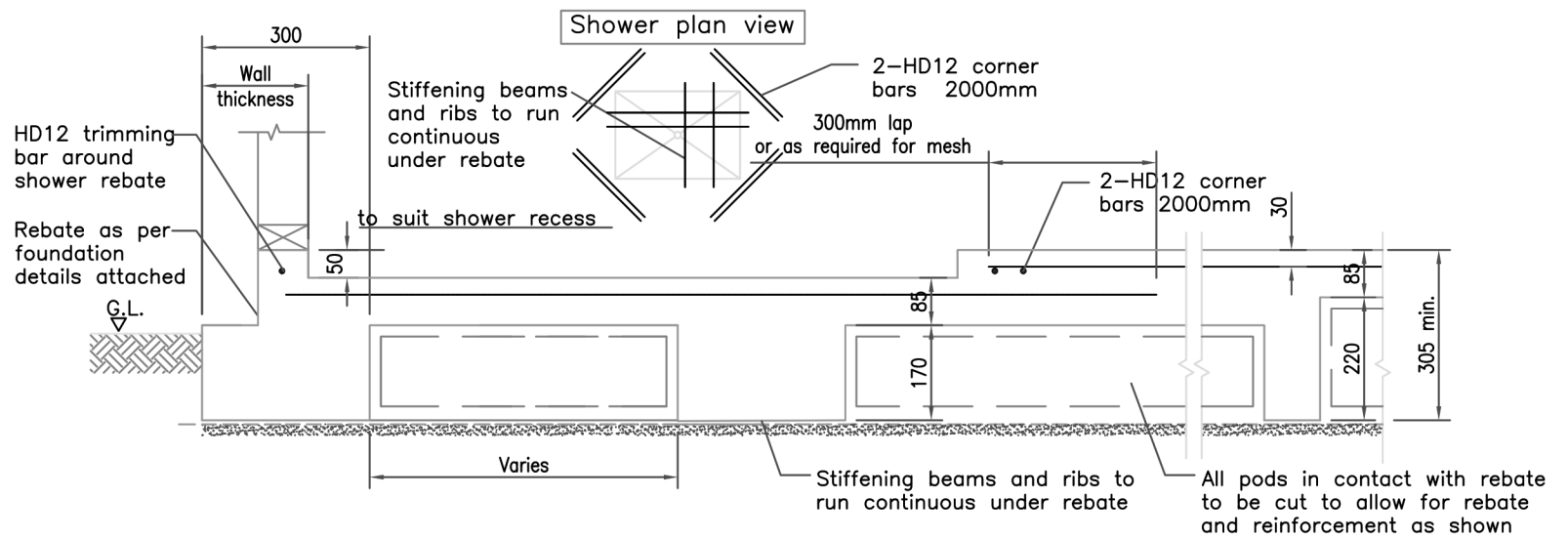


Typical Stiffening Detail



Typical Corner Laps Detail

Scale 1:20



Typical Shower Recess Detail if shower rebate required